

**PRODUCT CODE: MB6B**  
MALLEABLE CONDUIT BOX

**DESCRIPTION**

20mm Malleable Branch U Conduit Box

**FINISH**

Black Enamel

**MATERIAL**

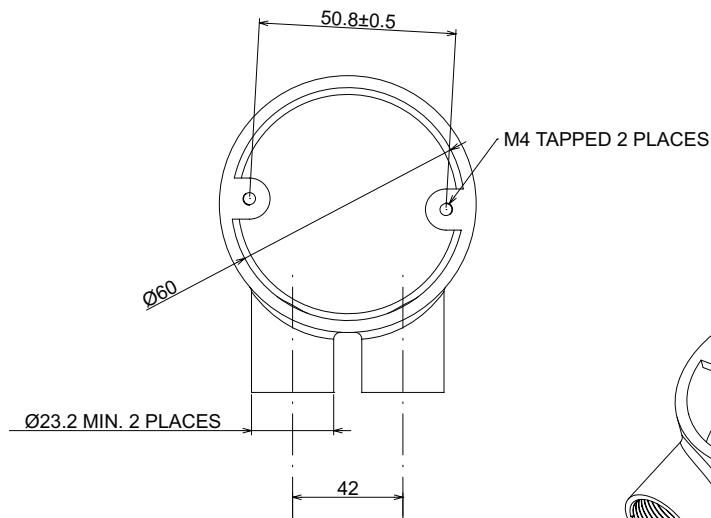
Malleable Iron

**PACKAGING**

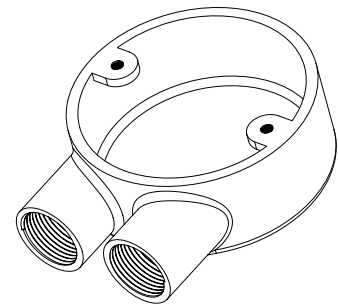
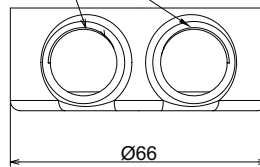
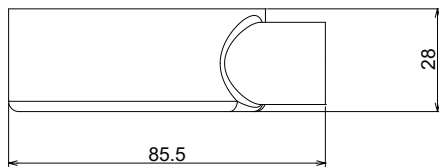
Packed in qty 10

**ADDITIONAL NOTES**

Conforms to BS EN61386-1:2008  
Compliant to LU Standard 1-085 (for use on surface & sub-surface locations)



M20 CONDUIT THREAD 16mm DEEP 2 PLACES



Ⓢ Values are nominal and with a general tolerance  $\pm 5\%$  unless otherwise specified